

CABLE 327 RF: SMA RIGHT ANGLE PLUG + TNC STRAIGHT BULKHEAD JACK WITH O-RING RATED TO IP67/68 + MULTIPLE CABLE SIZES

SPECIFICATIONS:

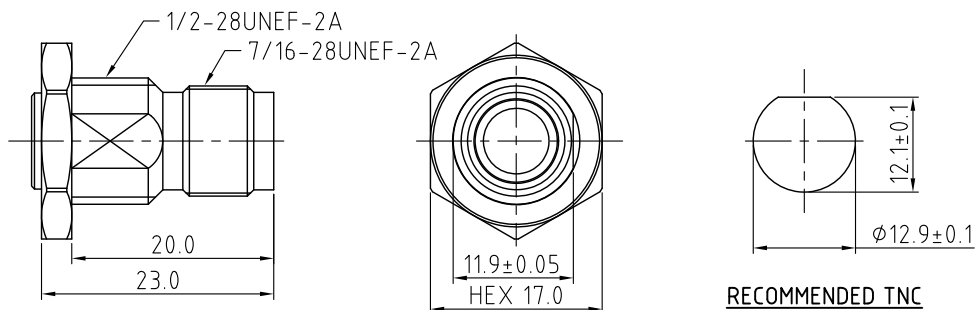
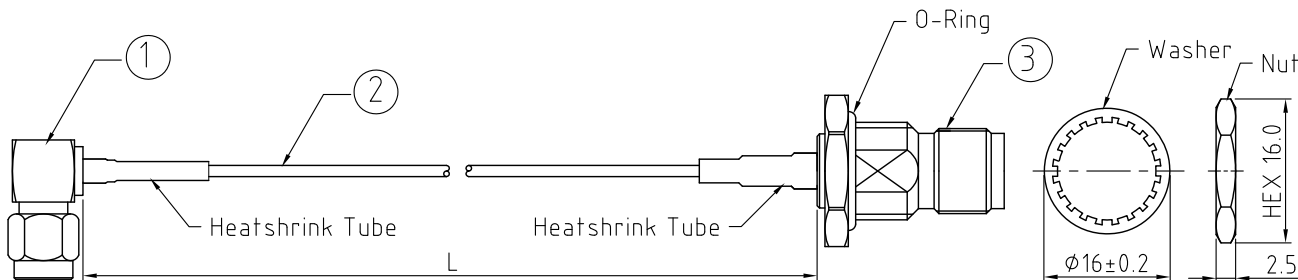
1. SMA RIGHT ANGLE PLUG, P/N:
FOR $\phi 1.32$ MM CABLE: RFCT-SMA052-M32.
FOR RG178 CABLE: RFCT-SMA025-M78.
2. COAXIAL CABLE, REFER TO P/N FOR DETAIL.
3. TNC STRAIGHT BULKHEAD JACK WITH O-RING RATED TO IP67/68, P/N:
RFCT-TNC006-F78.

ENVIRONMENTAL:

- A. BULKHEAD MOUNTED CONNECTOR (RFCT-TNC006-F78) RATED TO THE FOLLOWING SPECIFICATION:
 - i. IP6X - DUST TIGHT - NO PARTICLE INGRESS.
 - ii. IPX7 WATERPROOF FOR 30 MINUTES UP TO 1 METER UNDERWATER.
 - iii. IPX8 WATERPROOF FOR 48 HOURS AT 1 METER UNDERWATER.

NOTES:

1. THE ORIENTATION OF CONNECTORS ON DRAWING IS FOR REFERENCE ONLY, IF THE ORDER IS LEFT BLANK THE CONNECTOR WILL NOT HAVE FIXED ORIENTATION.
2. FIXED ORIENTATION IS SUGGESTED FOR CABLE LENGTH 50MM TO 100MM. PLEASE SPECIFY THE FIXED ORIENTATIONS FROM THE ORDER CODE (F1, F2, ETC)
3. CONTACT GRAD CONN IF THE ORIENTATION YOU REQUIRE IS NOT SHOWN.
4. WORKING FREQUENCY RANGE: DC-3GHZ
5. IMPEDANCE: 50 OHM
6. OPERATING TEMPERATURE: -40°C TO +125°C.



TNC DETAIL DRAWING

RECOMMENDED TNC MOUNTING HOLE

HOW TO ORDER

CABLE 327 RF - XXXX - XX - X - X

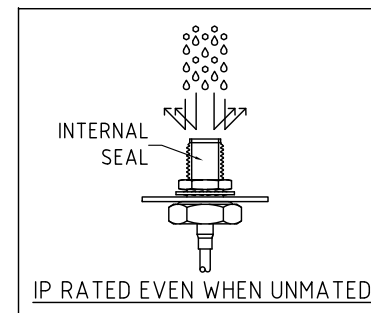
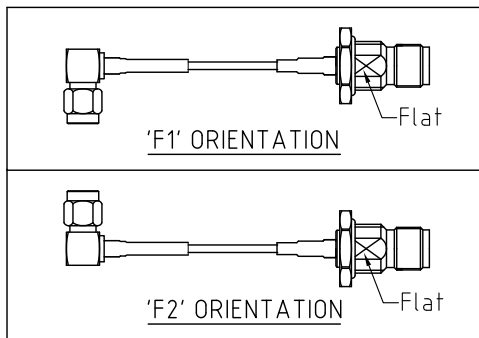
"L" LENGTH IN MM
eg: 100MM = 0100
(MIN. = 0050, MAX. = 2000,
STANDARD = 0100, 0150, 0200)
Tolerance: 50-200mm: ± 5 mm.
201-500mm: ± 7 mm.
>500mm: ± 10 mm.

ORIENTATION OPTIONS:
BLANK = DOES NOT HAVE A FIXED ORIENTATION
F1 = SMA CONNECTION DOWN (L=50-200MM)
F2 = SMA CONNECTION UP (L=50-200MM)
(SEE NOTES 1, 2, 3 AND DIAGRAMS FOR MORE INFORMATION)

CABLE SIZE OPTIONS:

- 1 = $\phi 1.32$ MM DOUBLE SHIELDING CABLE, COLOR: BLACK
- 2 = RG178 CABLE, COLOR: BROWN

WASHER AND NUT OPTIONS:
BLANK = SEPARATELY PACKED (STANDARD)
A = ASSEMBLED WITH CONNECTOR



REV. DATE & DRN
TO: 30/07/18 - INTX RELEASE
11: 14/03/19 - N/A
12: 03/07/19 - N/A
13: 17/03/24 - CC
ADD REVISION OPTION
ADD NOTE 5 & 6
ADD IP RATING VIEW

| | | | |
|-------------------|----------------------|---|---|
| Scale: NTS | THIRD ANGLE | Unstated .X .XX .XXX ANGLES | Tolerances: N/A N/A N/A N/A |
| Drawn: CC | | | |
| App'd: XXX | Title CABLE ASSEMBLY | | |
| Date: 17 MAR. '24 | Revision: 1.3 | Unit: mm | |



IP Rated RF Products



www.gradconn.com

THIS DRAWING IS CONFIDENTIAL AND MUST NOT BE COPIED OR DISCLOSED WITHOUT WRITTEN CONSENT

| | |
|--------------------|-----------|
| Type: Cable 327 RF | |
| CABLE 327 RF | |
| Drawing Number: | |
| Sheet 1 | of 1 |
| Drawing | E and O E |